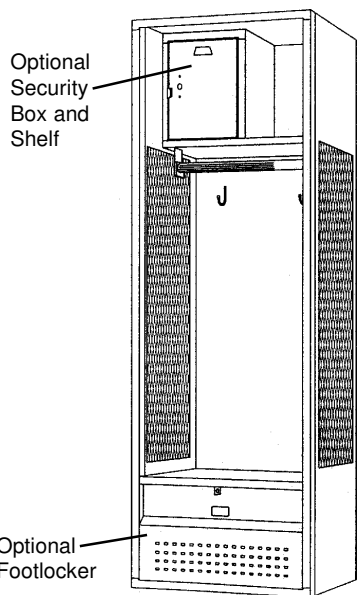




Stadium™ Locker Assembly Instructions

Part No.

for Knocked Down Version



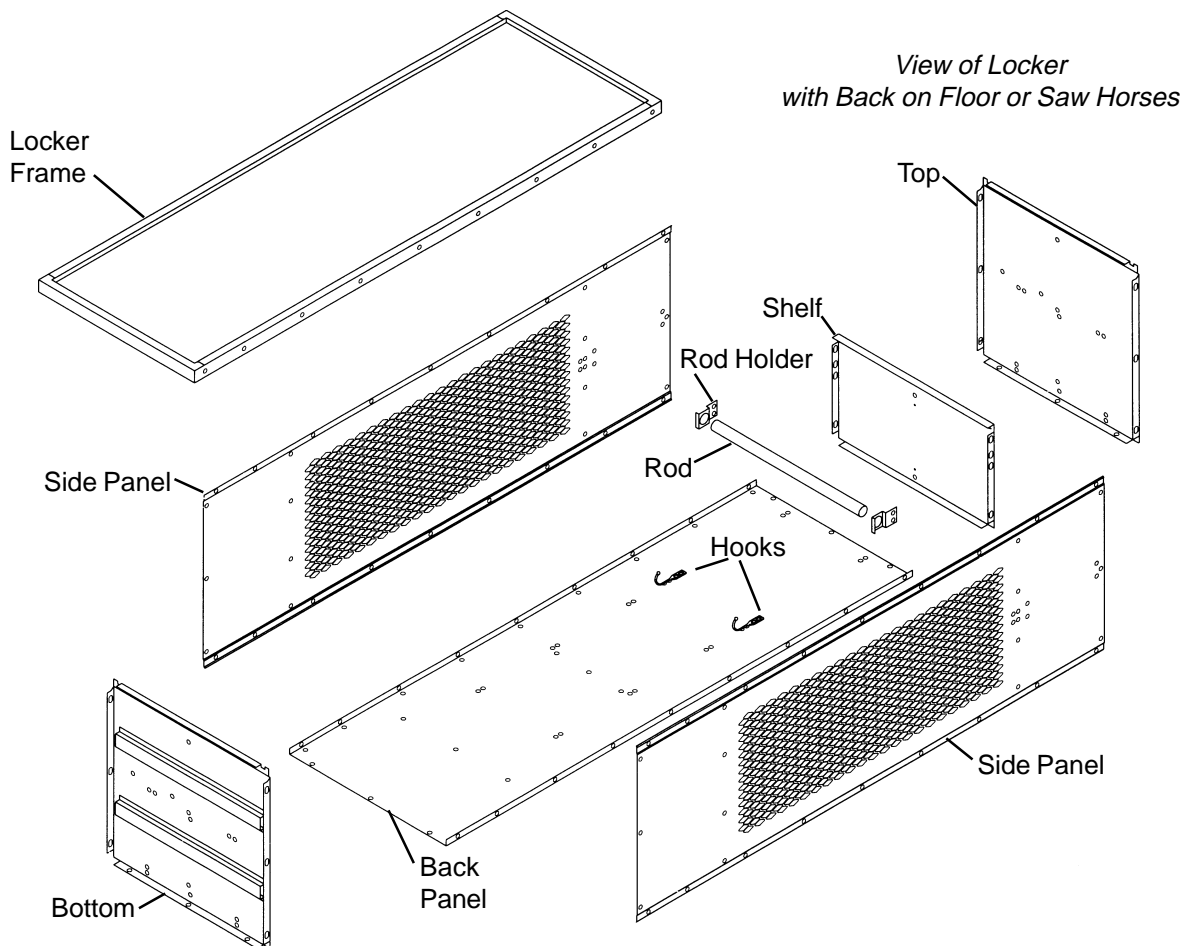
Assembly of Stadium Locker

All bolts are to be inserted on outside of locker while all nuts are to be placed on the inside of the locker.

1. Place back panel on a pair of saw horses.
2. Bolt hooks to back panel.
3. Bolt one side panel to back panel.
4. Bolt bottom to side and back panel.
5. Bolt second side panel to bottom and back panel.
6. Loosely bolt shelf and rod holders to side panels and insert rod into rod holder holes.
7. Bolt top to side panels and back panel.
8. Tighten bolts that anchor shelf and rod holders.
9. Place locker frame over outside edge of side panels, bottom and top and bolt together.
10. Stand locker upright and install on a level surface.
11. Line up number plate with holes at front of shelf and rivet into place.

We recommend that all lockers be anchored to the floor and / or wall.

See next page for instructions on assembling Security Box and Footlocker.

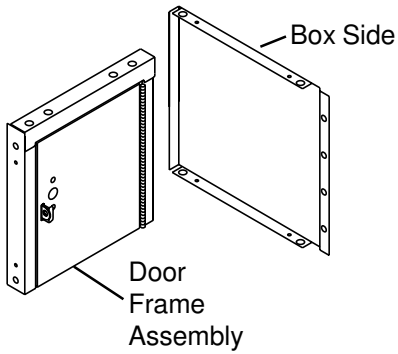


Penco Products, Inc. 99 Brower Ave. • PO Box 378 • Oaks, PA 19456-0378
1-800-562-1000 • 610-666-0500 • Fax 610-666-7561 • www.pencoproducts.com



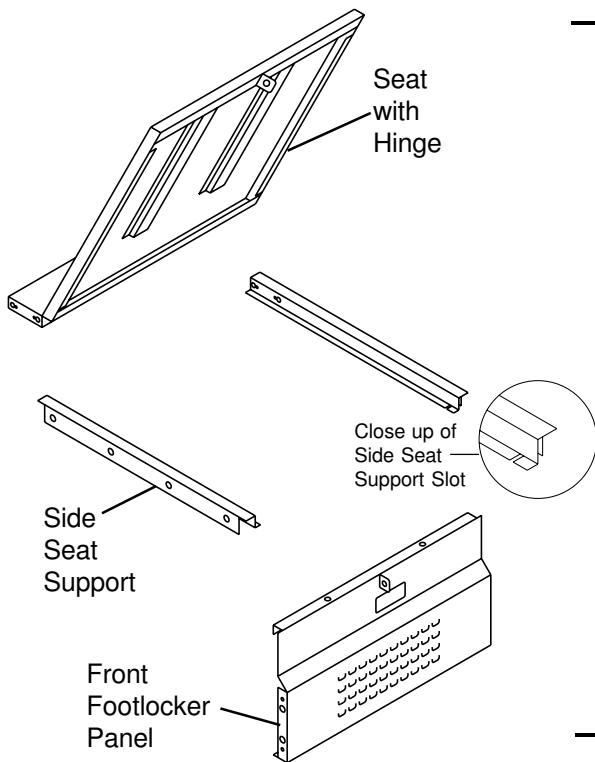
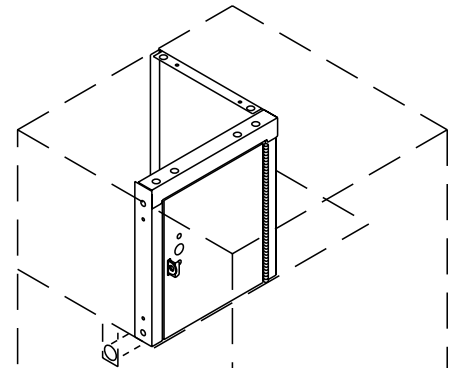
Stadium™ Locker Assembly Instructions for Optional Security Box & Footlocker

Knocked Down
Version

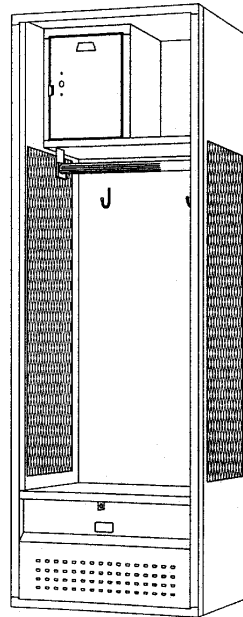


Assembly of Security Box

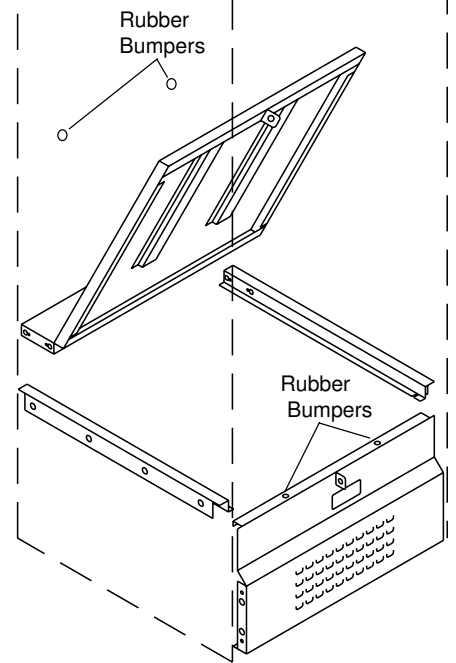
1. Loosely Bolt box side to shelf and top.
2. Open door to door frame assembly.
3. Bolt the door frame assembly to the side panel, top and box side.
4. Tighten all loose bolts.
5. Close door and check alignment.



Optional Security
Box and Shelf



Optional
Footlocker



Assembly of Foot Locker

1. When installing locker frame (see page 1, step 9) leave bolts off bottom section.
2. Loosely bolt side seat supports (with support slot towards front of locker) to side panels.
3. Slide front footlocker panel down until downward bend on the top of the footlocker panel fits into side seat supports slot. Loosely bolt front footlocker to locker frame.
4. Loosely bolt seat with hinge to side seat supports.
5. Align seat and hinge to front footlocker panel.
6. Tighten all loose bolts.
7. Insert rubber bumpers in holes at top of footlocker front panel and where open seat meets back panel.

Penco Products, Inc. 99 Brower Ave. • PO Box 378 • Oaks, PA 19456-0378
1-800-562-1000 • 610-666-0500 • Fax 610-666-7561 • www.pencoproducts.com